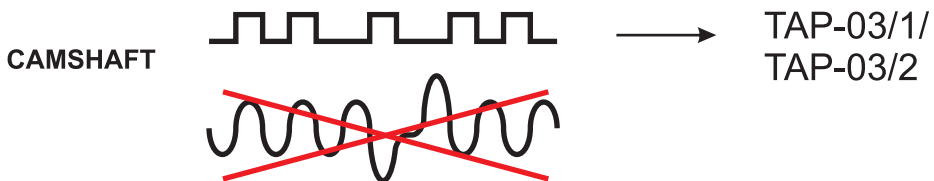
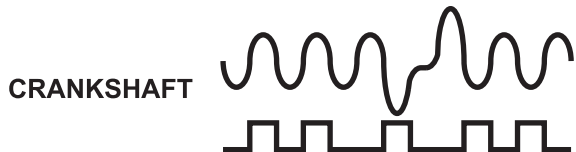
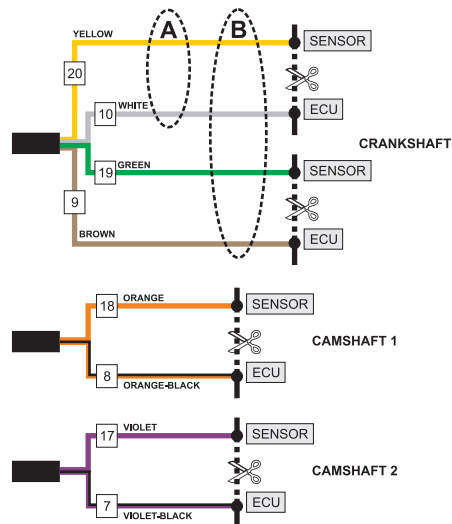
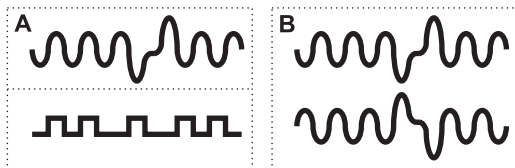
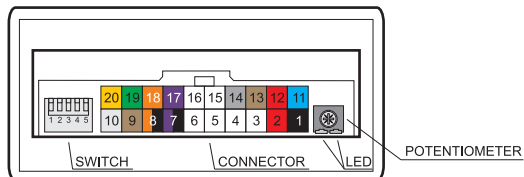
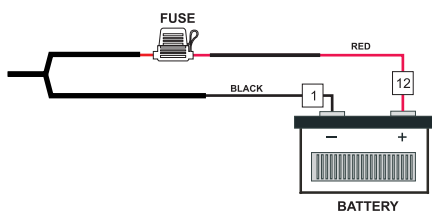


QUICK START

1. VERIFICATION OF DEVICE SELECTION



2. VERIFICATION OF CORRECT ASSEMBLY



3. SELECTION OF AUTO-CALIBRATION TYPE

MANUALLY



SET SWITCH No. 4



A) START THE ENGINE



B) PB (leave on petrol)

C) SWITCH OFF VENTILATION, AIR CONDITIONING AND LET THE ENGINE WARM UP



D) LOWER SWITCH No. 5



E) GREEN LED FLASHES



F) WAIT



G) LED OFF - AUTO-CALIBRATION COMPLETE



H) LIFT SWITCH No. 5



USING A COMPUTER



SET SWITCH No. 4



A) START THE ENGINE



B) PB (leave on petrol)

C) SWITCH OFF VENTILATION, AIR CONDITIONING AND LET THE ENGINE WARM UP



D) SELECT **LPG/CNG** FUEL TYPE IN APPLICATION

E) PRESS **START** TO START AUTO-CALIBRATION

F) WAIT



G) **100%** - AUTO-CALIBRATION COMPLETE



4. SETTINGS

MANUALLY



A) TIMING ADVANCE SETTINGS

6°



10°



8°



12°



B) LOAD SENSOR TYPE SETTINGS

- INCREASING



- DECREASING



C) IDLE SPEED THRESHOLD SETTINGS



USING A COMPUTER



5. PROBLEMS

1.



- INSTRUCTION

2.



- tel.: +48 857 438 154

3.



- www.ac.com.pl